

Standard Preparation 2100 mm Sink with 2 Bowls & Right Drain

ITEM # _____

MODEL # _____

NAME # _____

SIS # _____

AIA # _____


132812 (LG2126DXPN)

 Sink Unit with 2 bowls
 600x500mm and right hand
 drainer, 2100mm

Short Form Specification

Item No. _____

Made from 304 AISI stainless steel. The 50mm high worktop in 304 AISI stainless steel, 1mm in thickness, is sound-deadened and has an overflow rim and welded corners. Integral rear upstand, h=100mm, with 8mm radius. All-round apron. Square section legs 40x40mm on 1" height-adjustable feet (+/-20mm)

N. 2 bowls mm600x500x300h with overflow pipe and 2" drain hole; right hand drainer.

Main Features

- Sturdiness, stability and reliability of table accurately tested.

Construction

- 50 mm worktop in 304 AISI stainless steel, 10/10 in thickness with overflow rim along the top.
- Square section legs and 40 mm height-adjustable feet in 304 AISI stainless steel.
- Sink tops easily slotted onto the legs and taps are easily installed from the rear.
- Delivered in knock-down package.
- Wide range of taps are available to suit every need.
- Drainage area suitable for drying operations
- 100 mm upstand with 10 mm radiused corner and 13 mm deep, designed to be used against a wall.

Optional Accessories

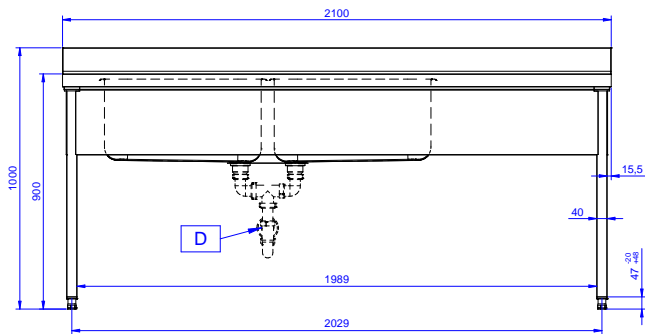
- Set of 4 wheels (2 with brake) PNC 855150
 d. 100mm for tables and sinks
 (total height on wheels= 993 mm)
- Lower shelf for 2100mm tables PNC 855279
 and sinks
- Elbow operated mixer tap with PNC 855322
 spout 3/4", single hole
- Elbow operated mixer tap with PNC 855323
 short spout 3/4", single hole
- Foot operated mixer tap (hot PNC 855328
 and cold) with spout 3/4"
- Single plastic drain syphon 2 PNC 895313
 " for Sinks

APPROVAL: _____

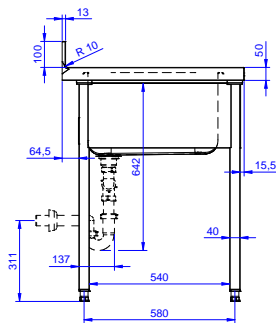
Key Information:

| | |
|------------------------------|--------------|
| External dimensions, Width: | 2100 mm |
| 132812 (LG2126DXPN) | |
| External dimensions, Depth: | 700 mm |
| External dimensions, Height: | 1000 mm |
| Upstand Dimensions, Height: | 100 mm |
| Upstand Dimensions, Depth: | 13 mm |
| Upstand Dimensions, Radius: | R=10 |
| Bowls number | 2 |
| Bowl dimensions | 600x500xH320 |
| Worktop thickness: | 50 mm |
| Net weight: | 65 kg |

Front



Side



D = Drain

Top

